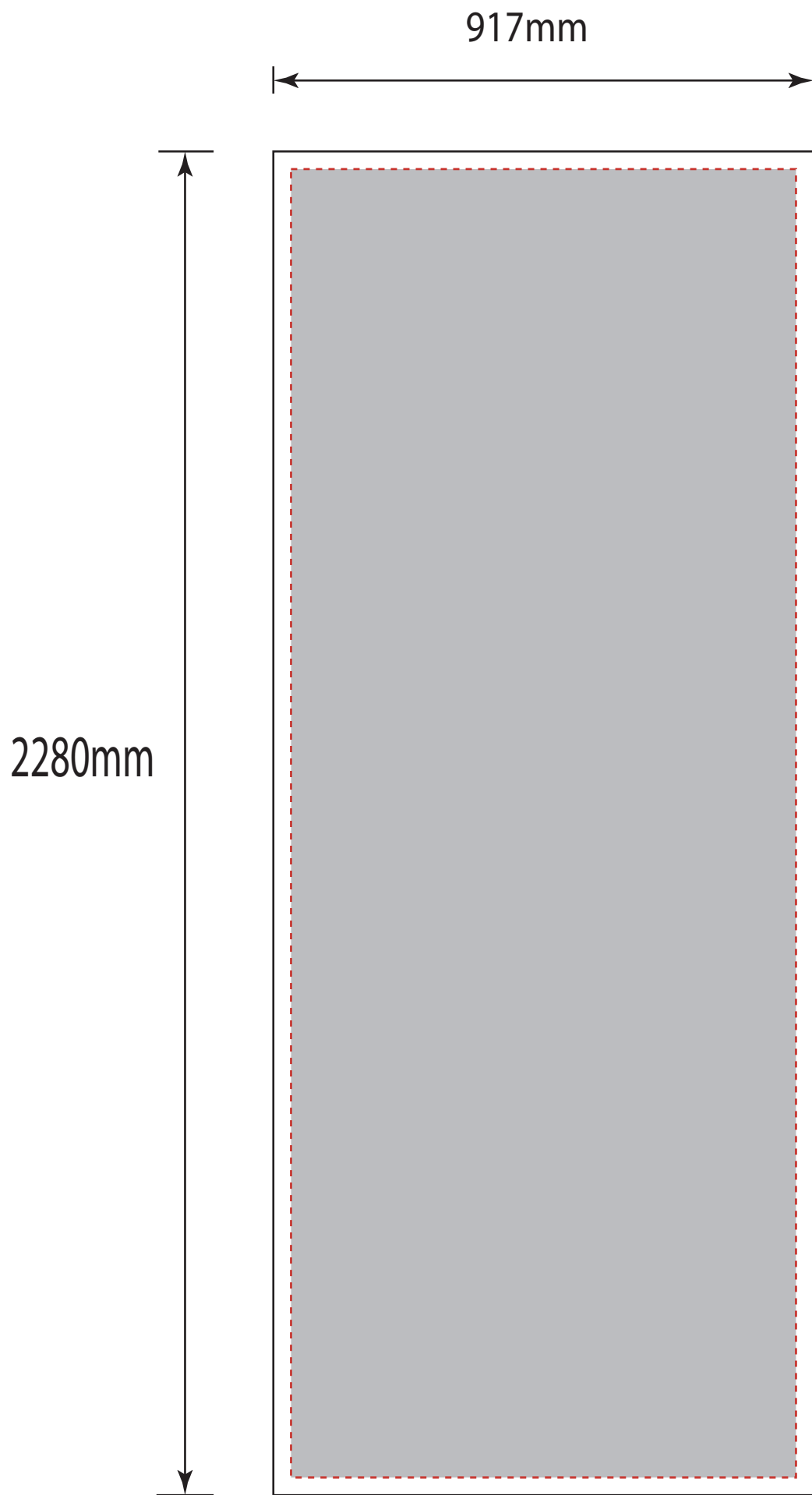
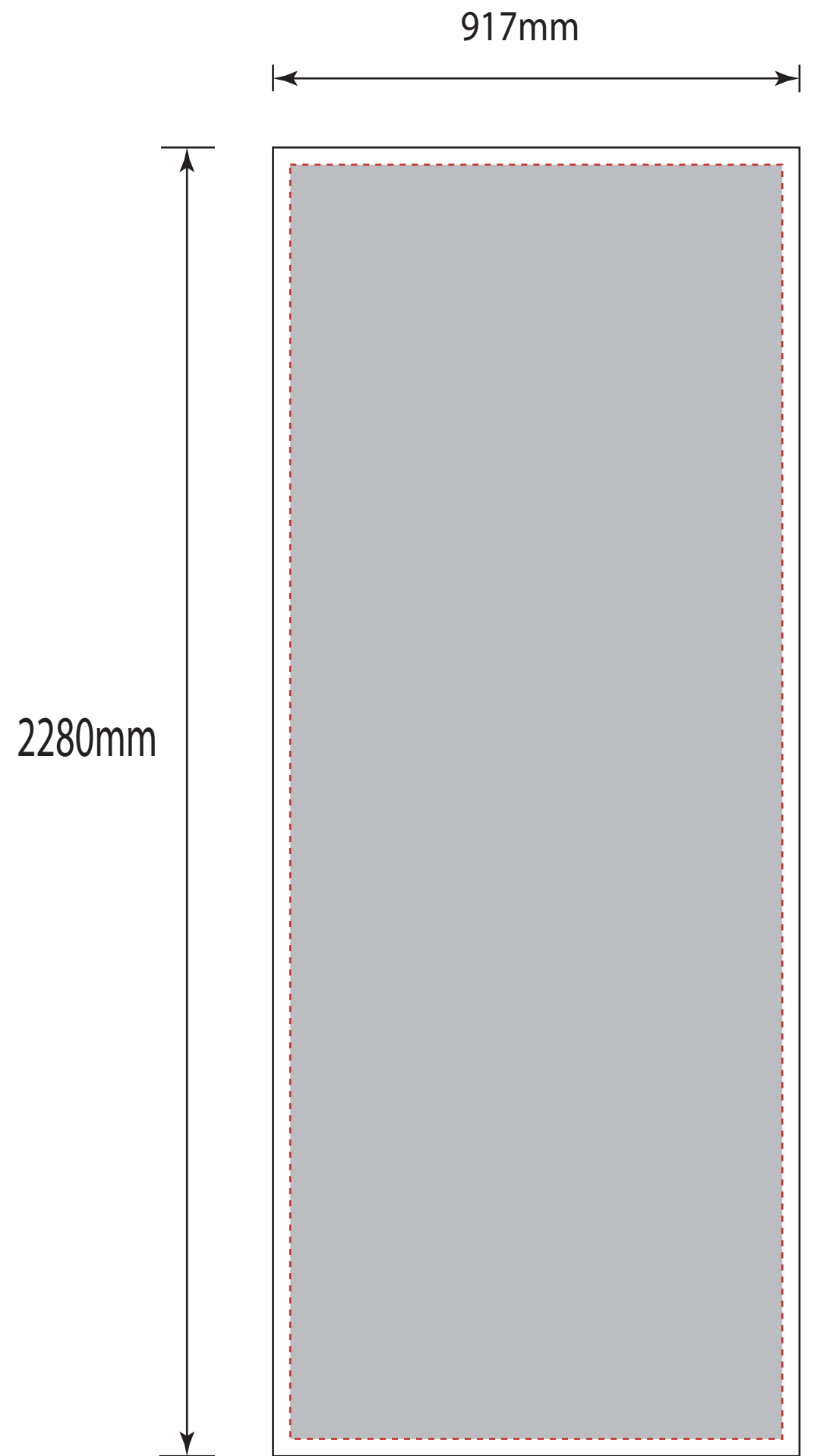


# VDFBS-3FT-D

Front



Back



- Tips:
1. Please put your main artwork inside the gray area
  2. Please delete the layer before saving